

VDC

Single Inlet Blower Fan



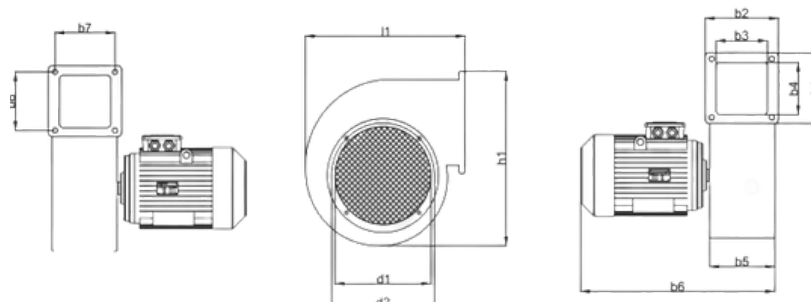
MOTOR INSULATION CLASS	B CLASS
MOTOR PROTECTION CLASS	IP 44
MOTOR EFFICIENCY CLASS	-
MOTOR ENCLOSURE TYPE	EXTERNAL ROTOR MOTOR
MOTOR BRAND	VOLTVENT
BODY MATERIAL	SHEET METAL
BODY COATING	POWDER COATING
IMPELLER MATERIAL	ALUMINIUM
DUTY CYCLE	IEC Duty Cycle-S1
WORKING TEMPERATURE	-20 - +50 °C
STANDARDS	IEC-60335-2-80, ISO 1940-1

A medium-pressure radial fan, also known as a centrifugal fan or blower, is a type of mechanical device used to move air or other gases in various industrial and HVAC (heating, ventilation, and air conditioning) applications. These fans are designed to handle air at moderate to high pressures and are characterized by their radial blade configuration.

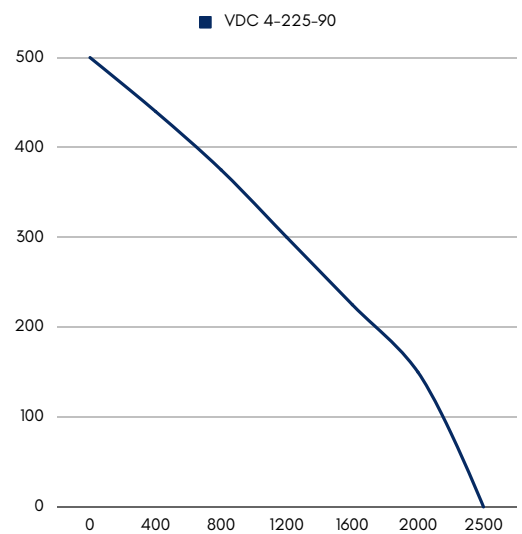
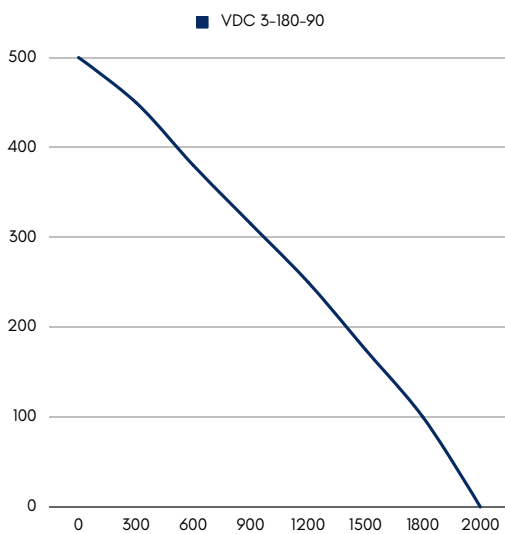
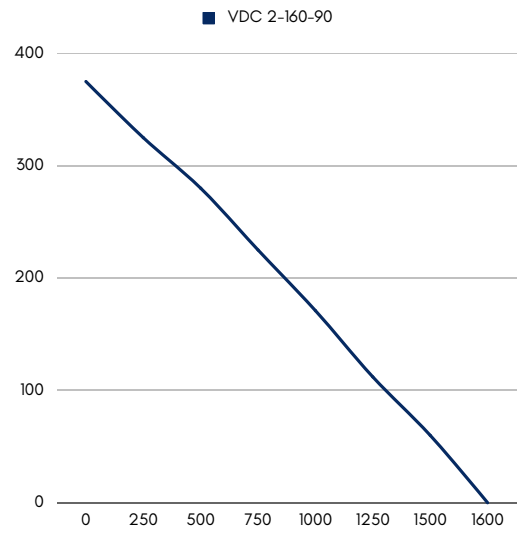
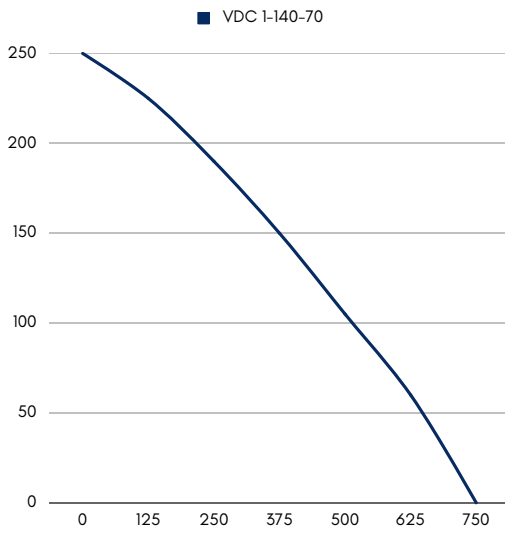
In summary, a medium-pressure radial fan is a versatile mechanical device used for moving air or gases in various applications that require moderate pressure and efficient airflow. Their design and capabilities make them essential components in industrial processes and HVAC systems.

Model	Voltage (V)	Frequency (Hz)	Power (KW)	Current (A)	Speed (r.p.m)	Airflow (m³/h)	Sound Pressure dB(A)	Weight (kg)
VDC 1-140-70	230 / 380	50	0,25	1,6 / 0,67	2900	750	50	9
VDC 2-160-90	230 / 380	50	0,37	2,50 / 1,05	2900	1650	55	11
VDC 3-180-90	230 / 380	50	0,55	3,50 / 1,27	2900	2000	60	12
VDC 4-225-90	230 / 380	50	0,75	5,00 / 1,75	2900	2500	65	18
VDC 4-225-102	230 / 380	50	1,10	7,00 / 2,30	2900	3000	68	19
VDC 5-250-112	230 / 380	50	1,50	9,80 / 3,30	2900	3500	70	25
VDC 5-250-118	230 / 380	50	2,20	13,50 / 4,50	2900	4000	72	27
VDC 6-268-112	230 / 380	50	2,20	-	2900	4500	74	31
VDC 6-268-118	230 / 380	50	3,00	6,50	2900	5000	75	33
VDC 7-300-112	380	50	4,00	7,90	2900	6000	76	43
VDC 8-315-112	380	50	5,5	10,30	2900	8000	77	48

DRAWING



Model	b1	b2	b3	b4	b5	b6	b7	b8	l1	d1	d2
VDC 1	123	116	85	60	105	315	95	95	230	120	157
VDC 2	160	160	110	110	130	360	135	135	285	140	175
VDC 3	160	155	105	105	128	350	130	125	303	166	195
VDC 4	185	160	125	105	145	374	155	125	370	198	250
VDC 5	203	203	155	-	165	435	165	165	415	228	285
VDC 6	203	203	155	-	165	435	165	165	415	228	285



RADIAL FANS / Single Inlet Blower Fans

