

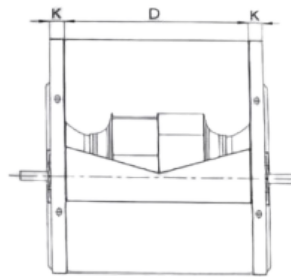
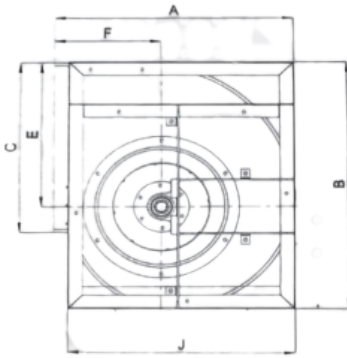


VBD

Backward Curved Double Inlet Belt Driven Centrifugal Fans

Description

- Galvanized steel sheet casing.
- Backward curved impeller in galvanized sheet steel.
- Supplied with support feet (**frame is optional**)
- VBD double suction belt driven centrifugal fans are manufactured as standard in different size between 700 m³/h and 23100 m³/h



Model	Frequency (Hz)	Airflow (m ³ /h)	Speed (r.p.m)
VBD 280	50	6200	1400
VBD 315	50	8250	1400
VBD 355	50	10500	1400
VBD 400	50	16000	1400
VBD 450	50	18450	1400
VBD 500	50	26500	1400
VBD 560	50	32500	1400
VBD 630	50	40800	1400

Model	A	B	C	D	E	F	J	K	Ød
VBD 280	466	525	360	351	310	200	215	30	30
VBD 315	530	585	400	396	347	220	240	30	30
VBD 355	588	670	455	449	400	250	260	40	35
VBD 400	650	737	505	500	435	302	285	40	35
VBD 450	730	835	570	565	485	350	325	40	40
VBD 500	810	920	640	635	445	422	355	45	40
VBD 560	895	1033	720	716	610	350	390	50	50
VBD 630	995	1159	800	794	685	422	435	50	50