

VPAF

Portable Axial Fan



MOTOR INSULATION CLASS	F CLASS
MOTOR PROTECTION CLASS	IP 55
MOTOR EFFICIENCY CLASS	IE3
MOTOR ENCLOSURE TYPE	TEFC
MOTOR BRAND	GAMAK-VOLT-WAT
BODY MATERIAL	GALVANIZED SHEET METAL
BODY COATING	ELECTRO-STATIC POWDER COATING
IMPELLER MATERIAL	ALUMINIUM
DUTY CYCLE	IEC Duty Cycle-S1
WORKING TEMPERATURE	-20 - +50 °C
STANDARDS	IEC-60335-2-80, ISO 1940-1

A portable axial fan is a type of fan designed to move air in a direction parallel to the axis of the fan blades. These fans are commonly used for cooling and ventilation purposes in various applications, both industrial and domestic.

When choosing a portable axial fan, consider factors like the fan's size, power source, airflow capacity (measured in CFM - cubic feet per minute), noise level, and durability. The specific application will determine the most suitable fan for your needs.

Model	Voltage (V)	Frequency (Hz)	Power (kW)	Speed (r.p.m)	Airflow (m ³ /h)	Sound dB(A)	Weight (kg)
VPAF 560/5-25	380	50	0,75	1466	8150	75	22
VPAF 630/5-30	380	50	1,10	1465	13480	80	31
VPAF 710/5-30	380	50	1,5	1472	19210	83	48
VPAF 800/5-30	380	50	2,20	1459	25560	85	75

OPTIONS



Electro-static Powder Coating With Any RAL Color



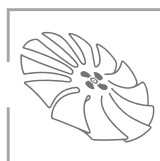
Aluminium or Plastic Blades



Custom Production For Any Flowrate and Pressure



System Automation

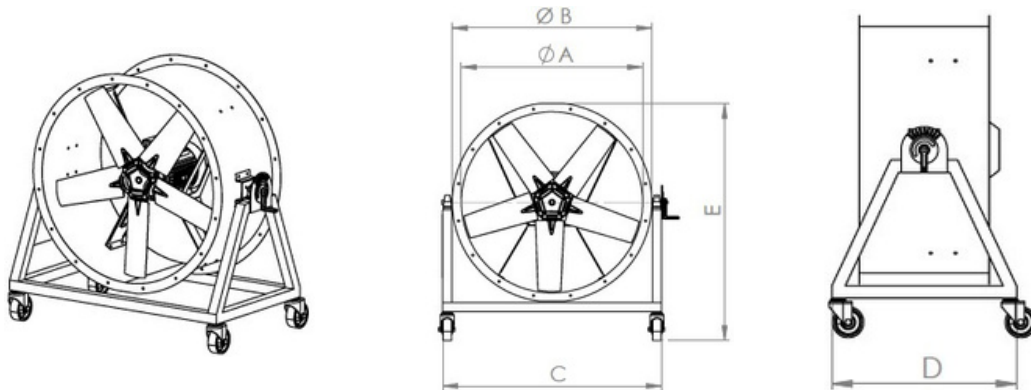


5, 8, 12 and 16 Blades Options



Single and Double Speed Motor Option

DRAWINGS



Model	A	B	C	D	E
VPAF 560/5-25	560	640	760	500	860
VPAF 630/5-30	630	710	830	600	930
VPAF 710/5-30	710	790	910	600	1010
VPAF 800/5-30	800	880	1000	600	1100

Portable Axial Fans

VPAF / VOLTVENT VENTILATION SYSTEMS

