

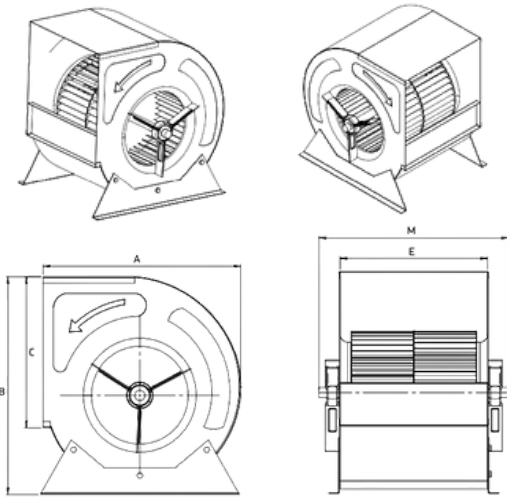


VFD

Forward Curved Double Inlet Belt Driven Centrifugal Fans

Description

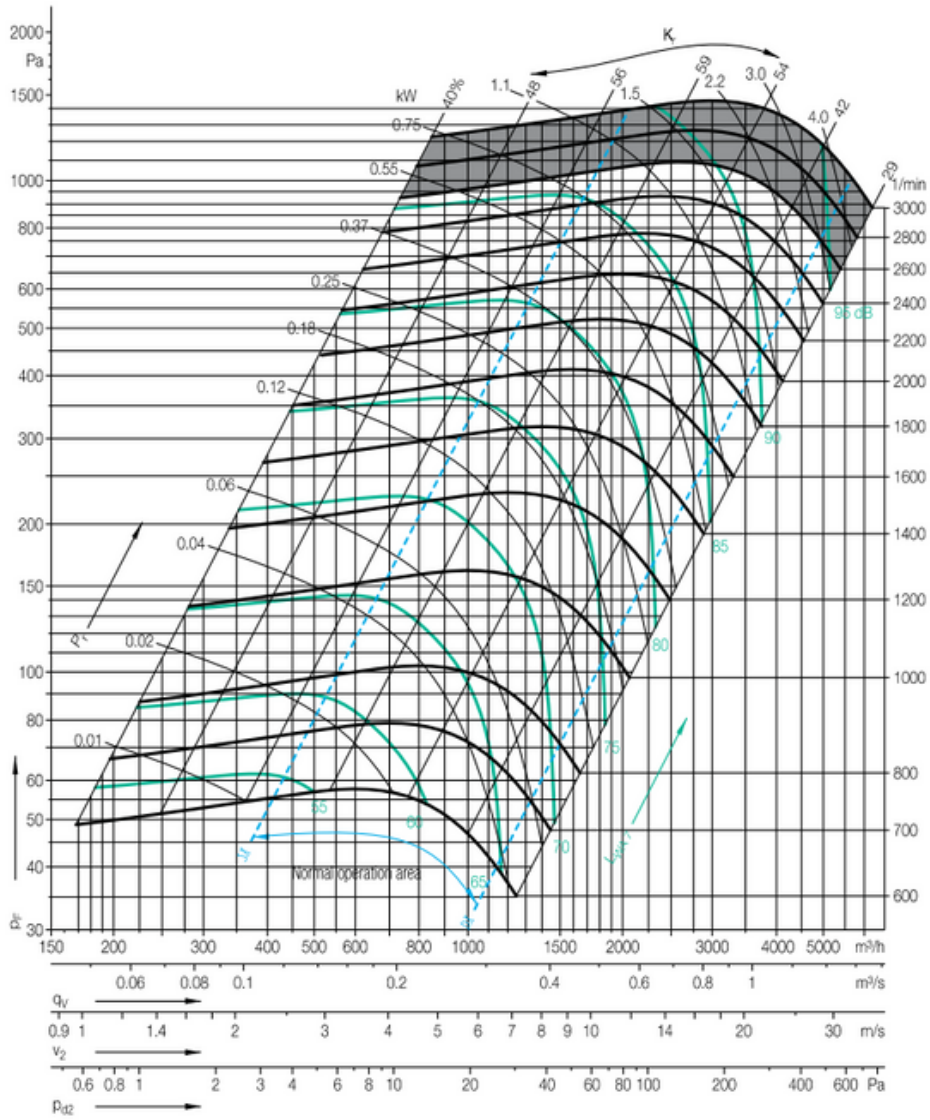
- Galvanized steel sheet casing.
- Forward curved impeller in galvanized sheet steel.
- Supplied with support feet (**frame is optional**)
- VFD double suction belt driven centrifugal fans are manufactured as standart in different size between 700 m³/h and 23100 m³/h



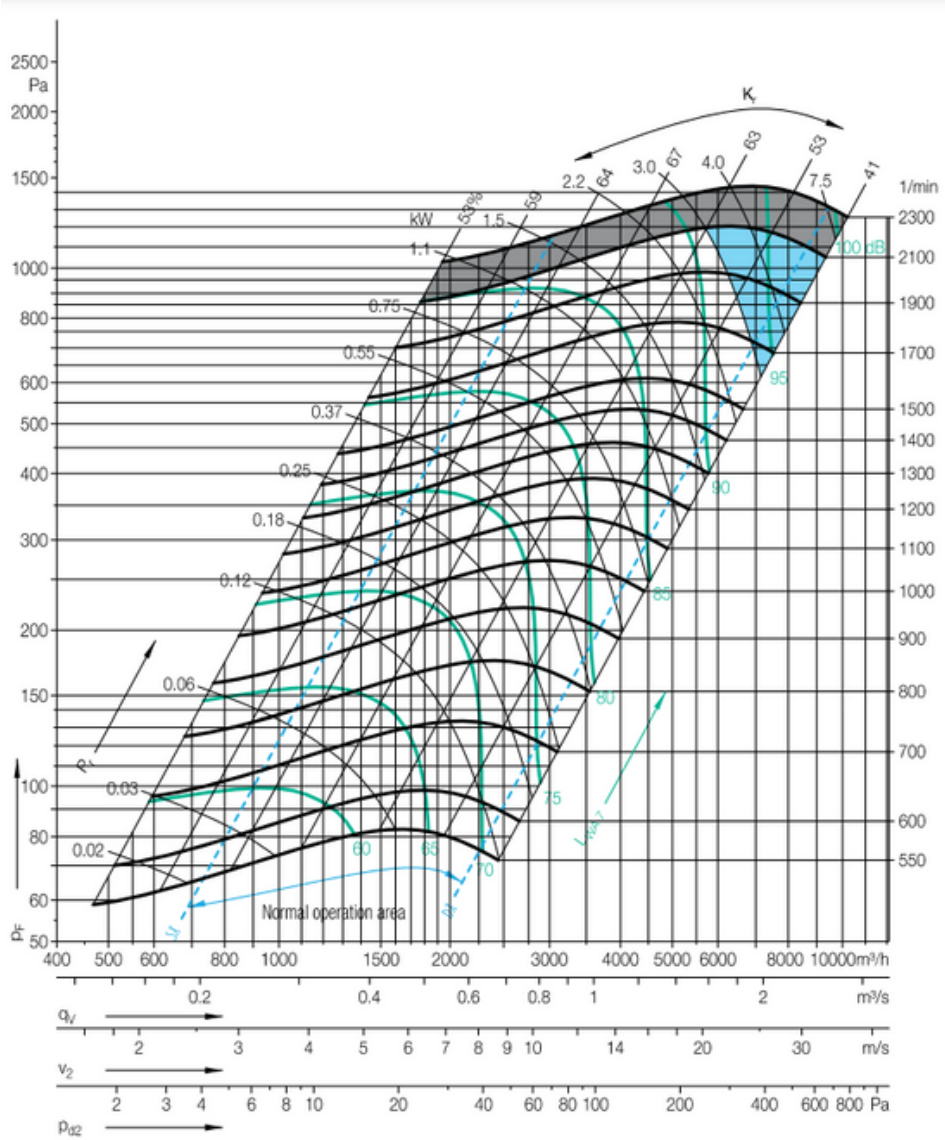
Model	Frequency (Hz)	Airflow (m ³ /h)	Speed (r.p.m)
VFD 7/7	50	3700	1400
VFD 9/9	50	5500	1400
VFD 10/10	50	6850	1400
VFD 12/12	50	11200	1400
VFD 15/15	50	16350	1400
VFD 18/18	50	23100	1400

Model	A	B	C	D	E	M
VFD 7/7	316	325	208	20	232	340
VFD 9/9	380	387	262	20	298	394
VFD 10/10	425	443	289	20	331	420
VFD 12/12	491	521	341	25	396	510
VFD 15/15	569	609	404	25	471	608
VFD 18/18	684	739	478	25	557	694

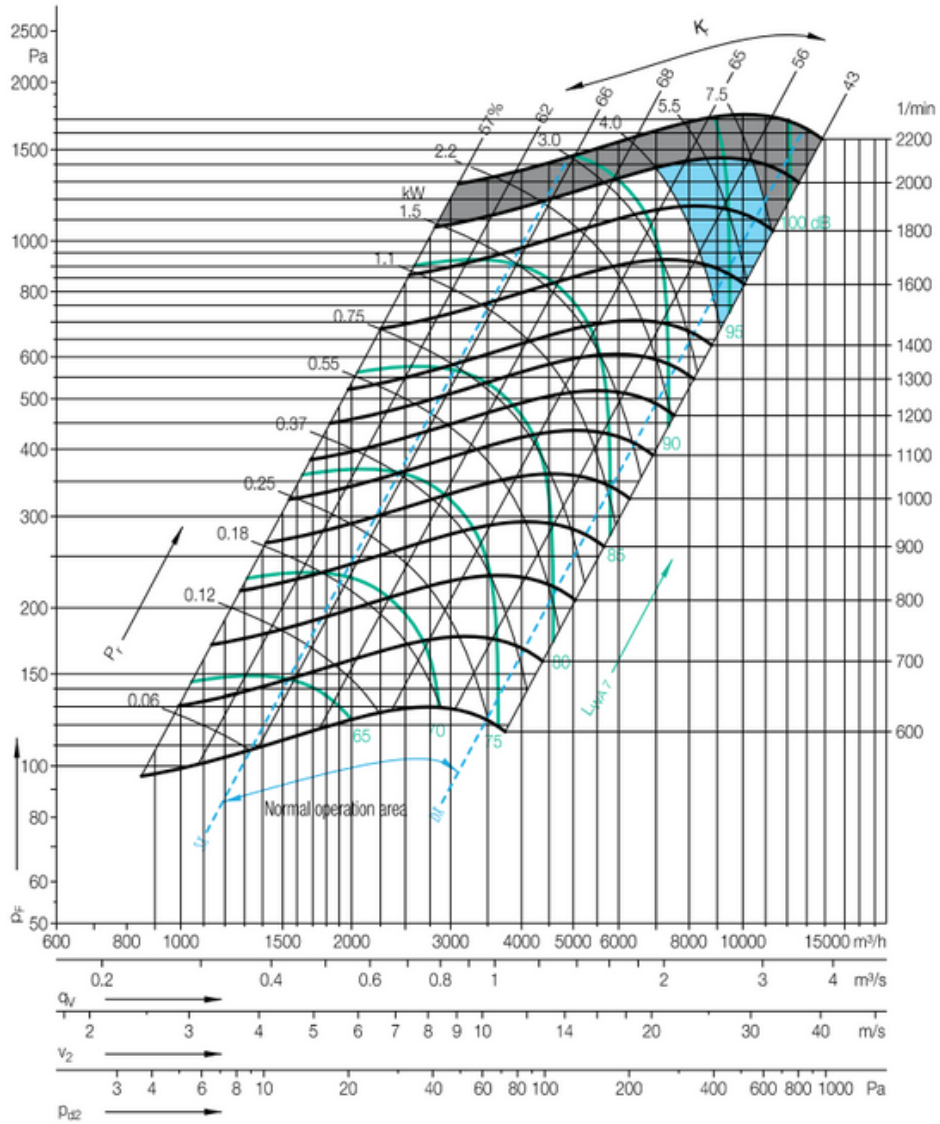
VFD 717



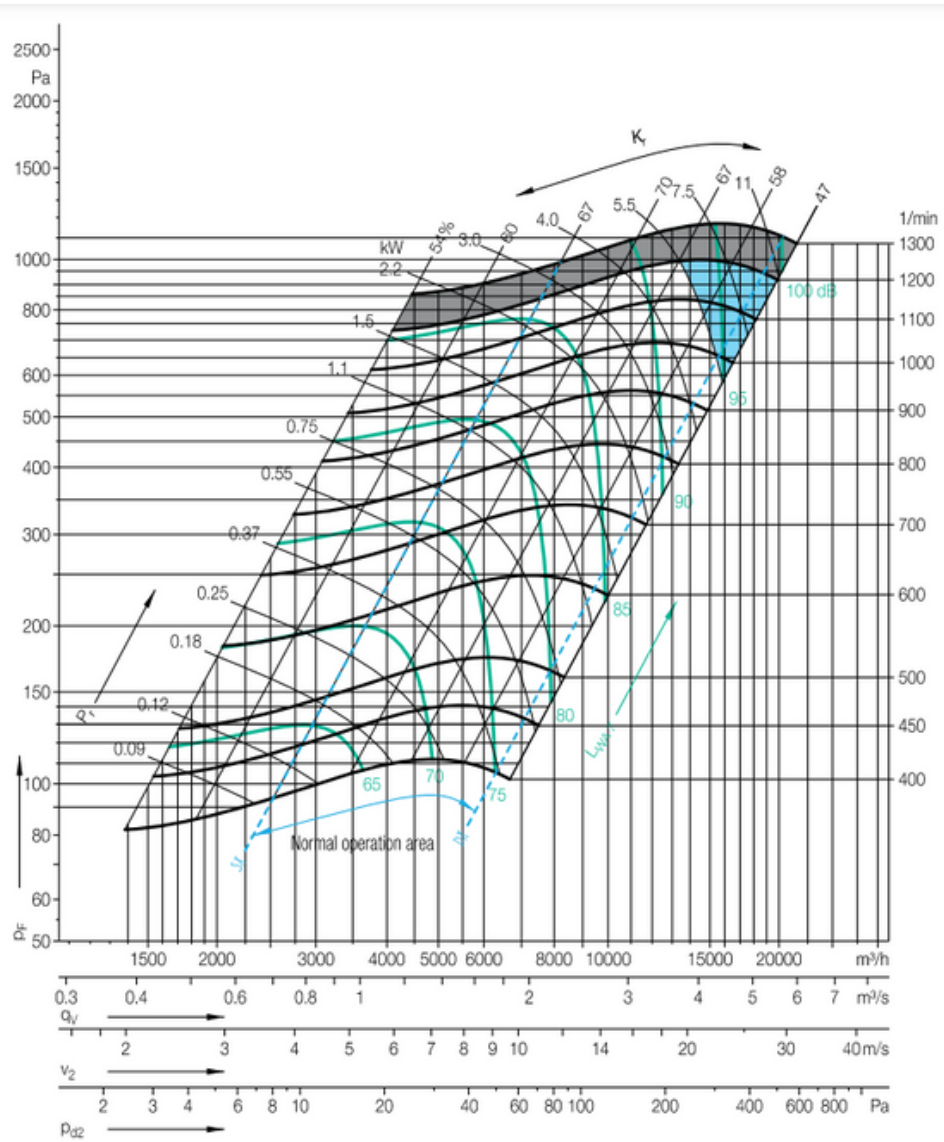
VFD 9/9



VFD 10/10



VFD 15/15



VFD 18/18

